

# Aurora 200B

## LED HIGH POWER CCT PANEL

### LAMPHEAD CONTENTS

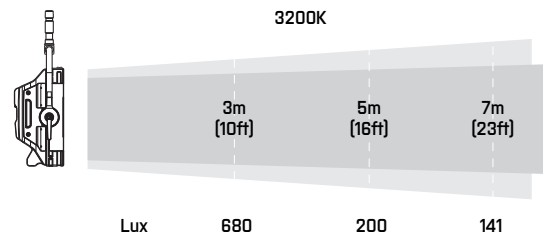
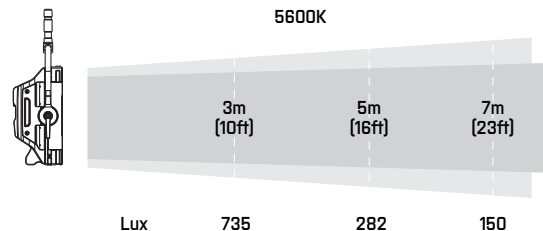
- Lamp Housing with Soft Diffusion Filter
- Stirrup with Ø28mm(1-1/8 in.) Spigot
- AC Power Cable
- DC Power Cable

### ACCESSORIES

- 4-leaf Barndoor
- Softbox
- Soft Eggcrate
- Metal Eggcrate
- Lantern with Skirt
- P.O. Stirrup with Ø28mm (1-1/8 in.) Spigot
- Safety Cable(for lamphead)



### PHOTOMETRIC DATA

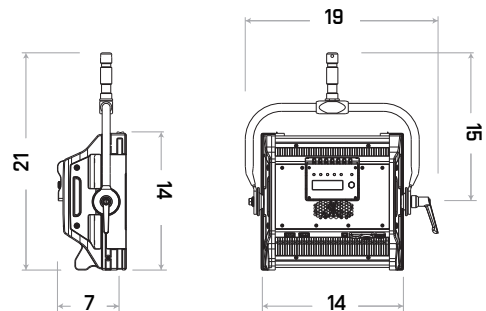


## AURORA 200B

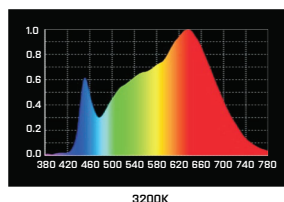
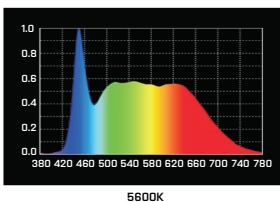
### SPECIFICATIONS

Identity No.	L0020CCT
Max. Capacity	200W
Voltage	95 - 260V AC
	22 - 36V DC
Current	1A @ 220V AC
	8.5A @ 24V DC
Color Temp. Range	2700K - 6000K
CRI	Average >95
TLCI	Average >95
Dimming Range	0-100%
Control Signal	DMX 512
DMX Channel	2
LED Life Time	30,000 Hrs (Estimated)
Stirrup	with Ø28mm(1-1/8 in.) Spigot
Class / IP Rating	1 / IP 23
Max. Surface Temp.	60 °C (140 °F)
Max. Ambient Temp.	45 °C (113 °F)
Operating Range	+90° ~ 0° ~ -90°
Weight (Lamphead)	9 kg (20 lbs)

### DIMENSIONS (in)



### SPECTRUM



### HISTOGRAM

