

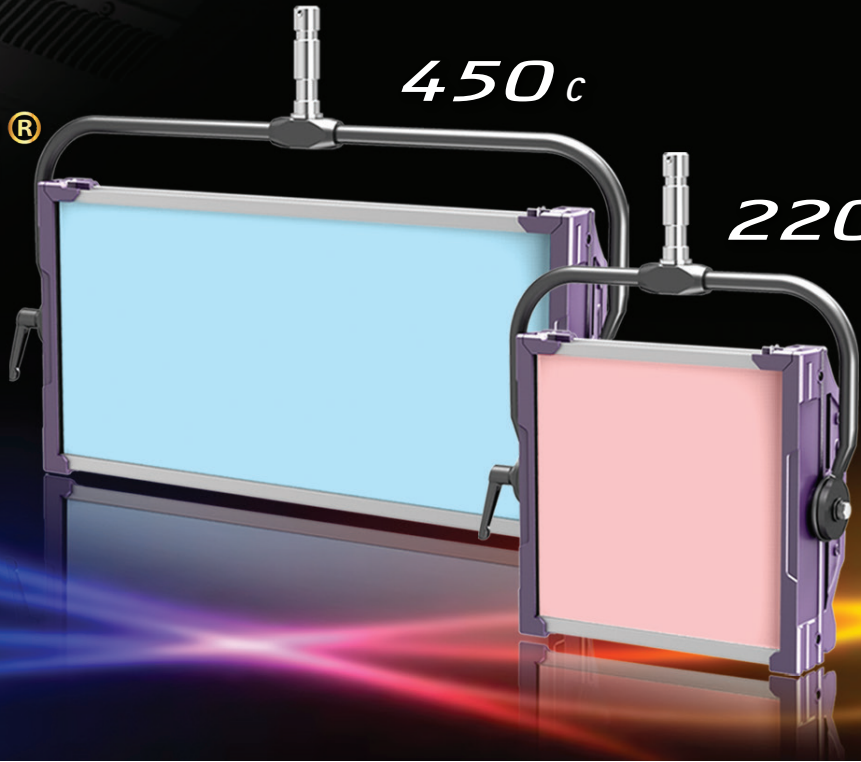
# FILMGEAR®

LED HIGH POWER PANEL  
RGB

## Aurora (II)

450c

220c



### SPECIFICATIONS

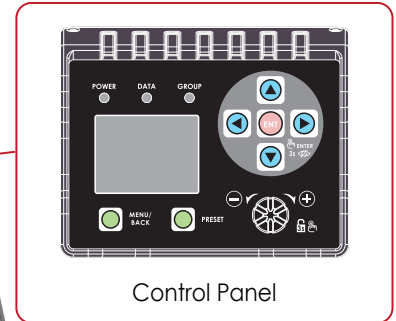
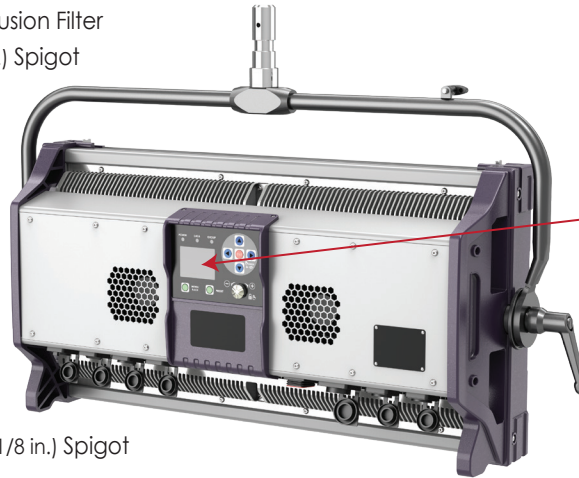
<i>Aurora (II)</i>	450c 	220c 
Identity No.	L0045HPC2	L0022HPC2
Max. Capacity	450W	220W
Input Voltage	95V ~ 260V AC 22V ~ 36V DC	95V ~ 260V AC 22V ~ 36V DC
Input Current	2.1A @ 220V AC 19A @ 24V DC	1A @ 220V AC 9.5A @ 24V DC
Color Temp. Range	2700K - 10000K	2700K - 10000K
Color	R/G/B/WW/CW color mixing	R/G/B/WW/CW color mixing
CRI	Average > 95	Average > 95
TLCI	Average > 95	Average > 95
Dimming Range	0-100%	0-100%
Control Signal	DMX / RDM	DMX / RDM
DMX Channel	Varied (depends on DMX mode selection)	Varied (depends on DMX mode selection)
LED Lifetime	30,000 Hrs (Estimated)	30,000 Hrs (Estimated)
Stirrup	Ø28mm (1-1/8 in.) Spigot	Ø28mm (1-1/8 in.) Spigot
Class / IP Rating	1 / IP 23	1 / IP 23
Max. Surface Temp.	60 °C	60 °C
Max. Ambient Temp.	45 °C	45 °C
Operating Range	+90° ~ 0° ~ -90°	+90° ~ 0° ~ -90°
Weight (Lamphead)	15kg	10kg

## LAMPHEAD CONTENTS

- Lamp Housing with Soft Diffusion Filter
- Stirrup with Ø28mm (1-1/8 in.) Spigot
- AC Power Cable
- DC Power Cable

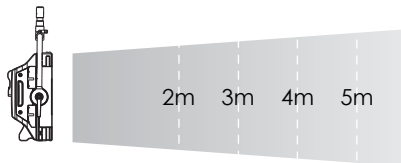
## ACCESSORIES

- 4-leaf Barndoor
- Softbox
- Soft Eggcrate
- Metal Eggcrate
- Lantern with Skrit
- P.O. Stirrup with Ø28mm (1-1/8 in.) Spigot
- Safety Cable (for lamphead)



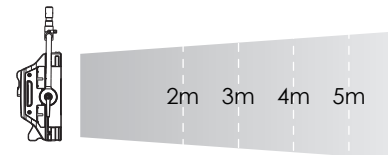
Control Panel

## PHOTOMETRIC DATA



5600K	Lux	3437	1903	989	635
3200K	Lux	3331	1732	1069	685

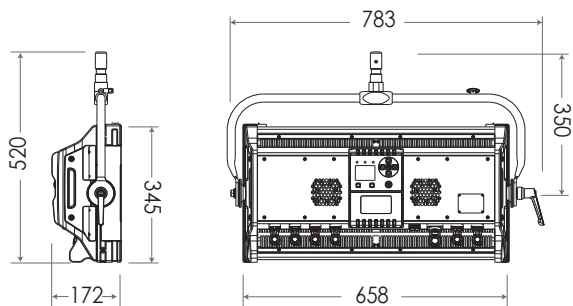
*Aurora (II) 450 c*



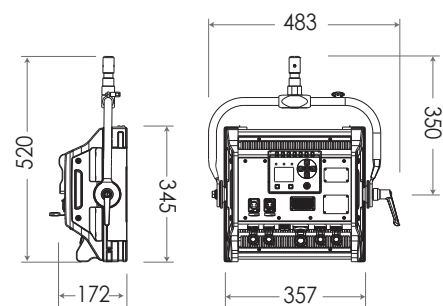
5600K	Lux	1810	802	456	293
3200K	Lux	1560	701	398	257

*Aurora (II) 220 c*

## DIMENSIONS (mm)



*Aurora (II) 450 c*



*Aurora (II) 220 c*